

(1) EU-Type Examination Certificate


according to Module B Paragraph 6.1 of PPE Regulation (EU) 2016/425

- (2) Regulation of the European Parliament and of the Council of 9 March 2016 relating to personal protective equipment (PPE) - Regulation (EU) 2016/425
- (3) No. of EU-Type Examination Certificate: **ZP/B245/19 R1** replaces ZP/B186/18
- (4) Product: **Anchor device type B**
Type: **AluPercha**
- (5) Manufacturer: **Encofrados J. Alsina, S.A.**
- (6) Address: **Camí de la Font Freda 1, 08110 Barcelona, Spain**
- (7) Risk category: **III**
- (8) The design and construction of this personal protective equipment and any acceptable variation thereto are specified in the appendix to this EU type-examination certificate.
- (9) The certification body of DEKRA Testing and Certification GmbH, Notified Body No. 0158 according to Chapter V of Regulation (EU) 2016/425 of 9 March 2016, certifies that this personal protective equipment has been found to comply with the essential Health and Safety Requirements given in Annex II to the Regulation. The evaluation results are recorded in report PB 19-306_Rev.01. Other possibly applicable Union legislations applicable to the specified personal protective equipment have not been taken into account in this EU-type examination certificate.
- (10) The essential Health and Safety Requirements are assured in consideration of
EN 795:2012 **CEN/TS 16415:2013**
- (11) This EU type-examination certificate relates only to the design, examination and tests of the specified personal protective equipment in accordance to Regulation (EU) 2016/425. For category III personal protective equipment, this EU type-examination certificate may only be used in conjunction with one of the conformity assessment procedures referred to Article 19 (c).
- (12) When applying the CE Marking according to Article 16 and 17 of Regulation (EU) 2016/425 to the products that conform to the types examined, the client is obliged to add, in accordance with the attached pattern, the identification number of the Notified Body engaged in the conformity assessment according to Module C2 or D.
Furthermore, the manufacturer is obliged to issue an EU declaration of conformity in accordance with Article 15 of Regulation (EU) 2016/425 and to enclose it with the personal protective equipment, or to indicate the Internet address in the manual and in the instructions in Annex II, point 1.4., at which the EU declaration of conformity can be accessed.
- (13) This EU-Type Examination Certificate is valid until 2024-12-09.

DEKRA Testing and Certification GmbH
Bochum, 2020-03-02

Signed: Kilisch
Managing director

We confirm the correctness of the translation from the German original. In the case of arbitration only the German wording shall be valid and binding.


Managing director

TRANSLATION

- (14) Appendix to
- (15) **EU-Type Examination Certificate
ZP/B245/19 R1**
- (16) 16.1 Subject and type
Anchor device type B
Type: AluPercha

16.2 Description

The anchor device of type AluPercha (Fig. 1) is used for the temporary protection of people against falls from a height. It is used by means of appropriate anchors (Fig. 2-6), which are installed to the structure with sufficient strength.

The corrosion-resistant anchor device is made of a pivoted Davit arm. The anchor device can be transported to the intended place of use either by a person or, optionally, by a crane provided the appropriate transport eyelets are used. When erecting the Davit Arm, a cantilever is unfolded via a joint and bolted using a brace. This brace is equipped with an integrated absorption mechanism to reduce the arresting forces. At the end of the cantilever there is a welded-on eyelet which is the anchor point to which the user can connect his personal protective equipment to protect himself against falls from a height. Optionally, the Davit Arm can be used as an anchor for a type D anchor device (Fig. 7) of type Horizontal SafeAccess and NAV2 trolley made by FALLPROTEC SA. The specification of the type B anchor device is shown in Table 1.

Table 1: Specification of the type B anchor device

Type:		AluPercha
Material:		aluminium
Design height:		3141 mm
Radius:		2083 mm
Weight:		18.85 kg
Absorption:		gas pressure absorber
Maximum number of people:	Single use:	two people
	Used as anchor for type D anchor device:	two people per field (maximum field length = 6 m)
Possible anchors:		post for reduced spaces
		conical tube
		tripod
		wall brackets
		column clamps

TRANSLATION

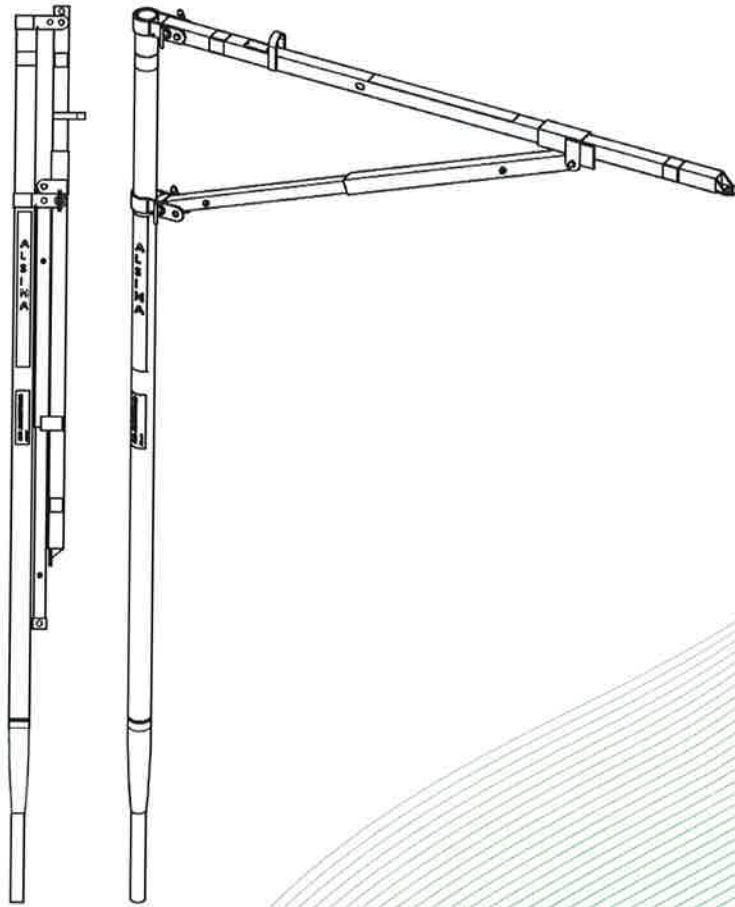


Fig. 1: Anchor device, type: AluPercha



Fig. 2: Anchor type post for reduced spaces

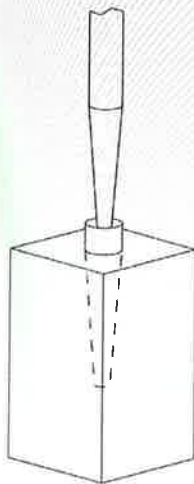


Fig. 3: Anchor, type: conical tube

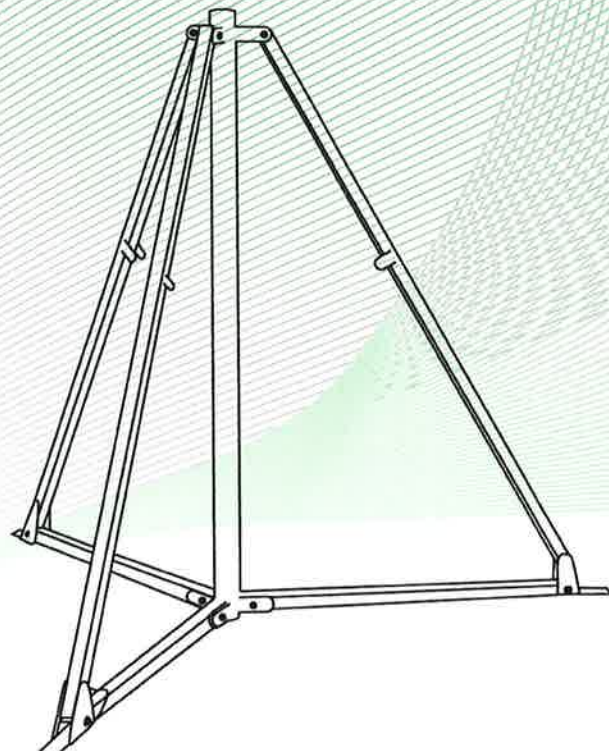


Fig. 4: Anchor, type: tripod

TRANSLATION

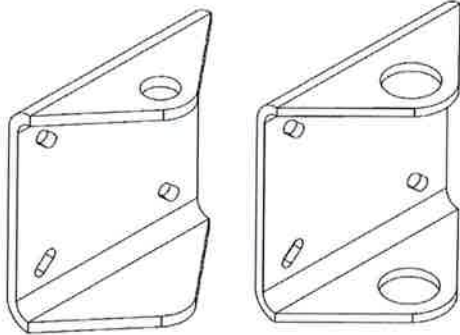


Fig. 5: Anchor, type: wall brackets

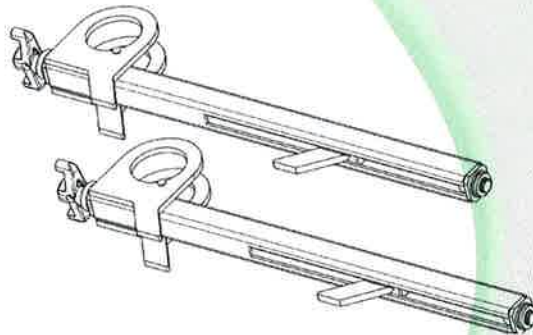


Fig. 6: Anchor, type: column clamps

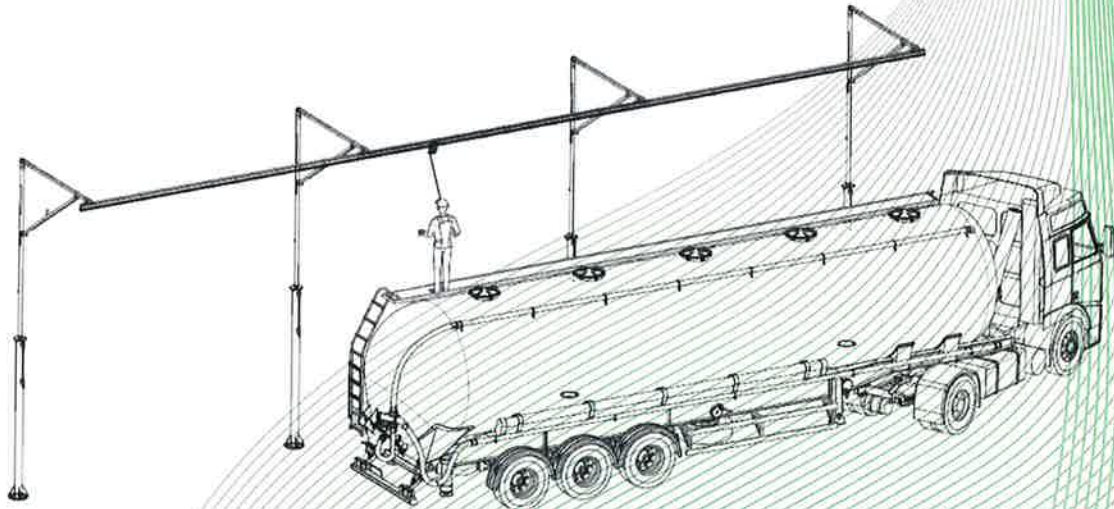


Fig. 7: Anchor device type D (type Horizontal SafeAccess and NAV2 trolley made by FALLPROTEC SA) with anchors of type AluPercha and post for reduced spaces

(17) Report

PB 19-306_Rev.01, 2020-03-02